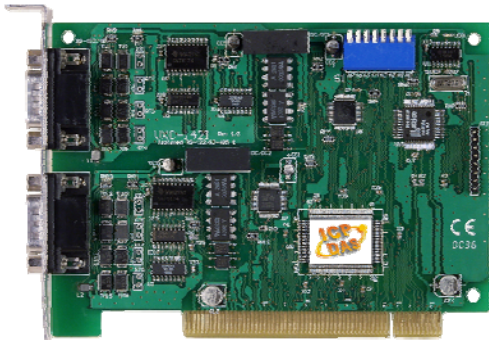




VXC-142



VXC-142i

VXC-142: PCI Bus, 2-port RS-422/485 communication board
VXC-142i: PCI Bus, 2-port Isolated RS-422/485 communication board

Features

- Built-in Com-Selector
- Self-Tuner Inside
- Up to 128 KB software FIFO for each COM port under Windows
- Short Card Design
- Supports PCI bus, Plug and Play
- Provides 2-port Isolated RS-422/485
- +/-4 kV ESD Protection
- LED diagnostic indicators
- DOS, Windows NT/2K/XP/2003 and Linux driver supported

[VXC-142i only]

- 3 kV Isolated ports

Software

- DOS Lib
- Driver for Windows NT 4.0
- Driver for Windows 2000/XP/2003
- Driver for Linux



Introduction

Functional Description

The VXC-142/VXC-142i card provides two independent RS-422/RS-485 serial ports, while the VXC-142i card provides isolation voltage up to 3 kV. Each port can be configured as either RS-485 for half-duplex or RS-422 for full-duplex communication. It equips 16 bytes hardware FIFO for each port, offers speed up to 115200 bps and supports full-duplex communication.

The user can select a specified COM port number manually by setting dip switch, or let the driver to choose an available number automatically. The driver provides a maximum of 128 KB software FIFO for each COM port under Windows. It's practical for large file transmission.

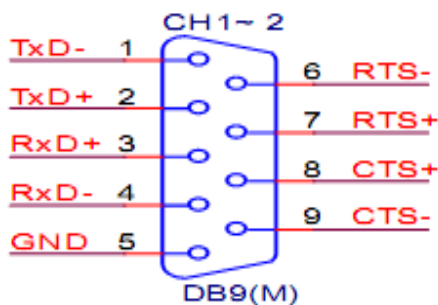
In the harsh industrial environment, the on board ESD protection can protect the computer and equipment from being damaged by high potential voltage. Along with the basic communication feature.

Specifications

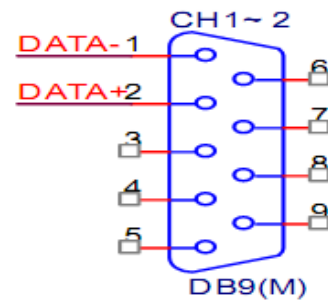
| | VXC-142 | VXC-142i |
|-----------------------|--|---------------------|
| Interface | PCI bus (v2.1), 5 V, 33 MHz, 32-bit, Plug and Play mechanism | |
| COM1, COM2 | RS-422/485 | Isolated RS-422/485 |
| UART | 16C550 compatible | |
| Baud Rate | 50 ~ 115200 bps | |
| Data Bit | 5, 6, 7, 8 | |
| Stop Bit | 1, 1.5, 2 | |
| Parity | None, Even, Odd, Mark, Space | |
| FIFO | Internal 16 bytes | |
| Connector | 2 x DB9 (Male) | |
| Operating Temperature | 0 ~ 50 °C | |
| Storage Temperature | -20 °C ~ 70 °C | |
| Humidity | 0 ~ 90% RH, non-condensing | |
| Dimensions (L X W) | 130 mm x 105 mm | 140 mm x 95 mm |

Pin Assignment

RS-422 Cable Wiring



RS-485 Cable Wiring



Ordering Information

| | |
|-------------|---|
| VXC-142 | PCI Bus, 2-port RS-422/485 Communication Board. |
| VXC-142i | PCI Bus, 2-port Isolated RS-422/485 Communication Board. |
| VXC-142i CR | PCI Bus, 2-port Isolated RS-422/485 Communication Board (RoHS). |

Optional Accessories

| | |
|-----------|--|
| CA-0910F | 9-pin Female-Female D-sub Cable 1 M |
| DN-09-2F | I/O Connector Block with DIN-Rail Mounting and two 9-pin Male Header. Includes CA-0910F x 2 (9-pin Female-Female D-sub Cable 1 M). |
| CA-090910 | 9-pin Female D-sub cable for RS-422 connector, 1 M |
| CA-PC09F | 9-pin Female D-sub connector with plastic cover |
| CA-0915 | 9-pin Male-Female D-sub cable, 1.5 M |



CA-0910F



DN-09-2F



CA-090910



CA-PC09F



CA-0915